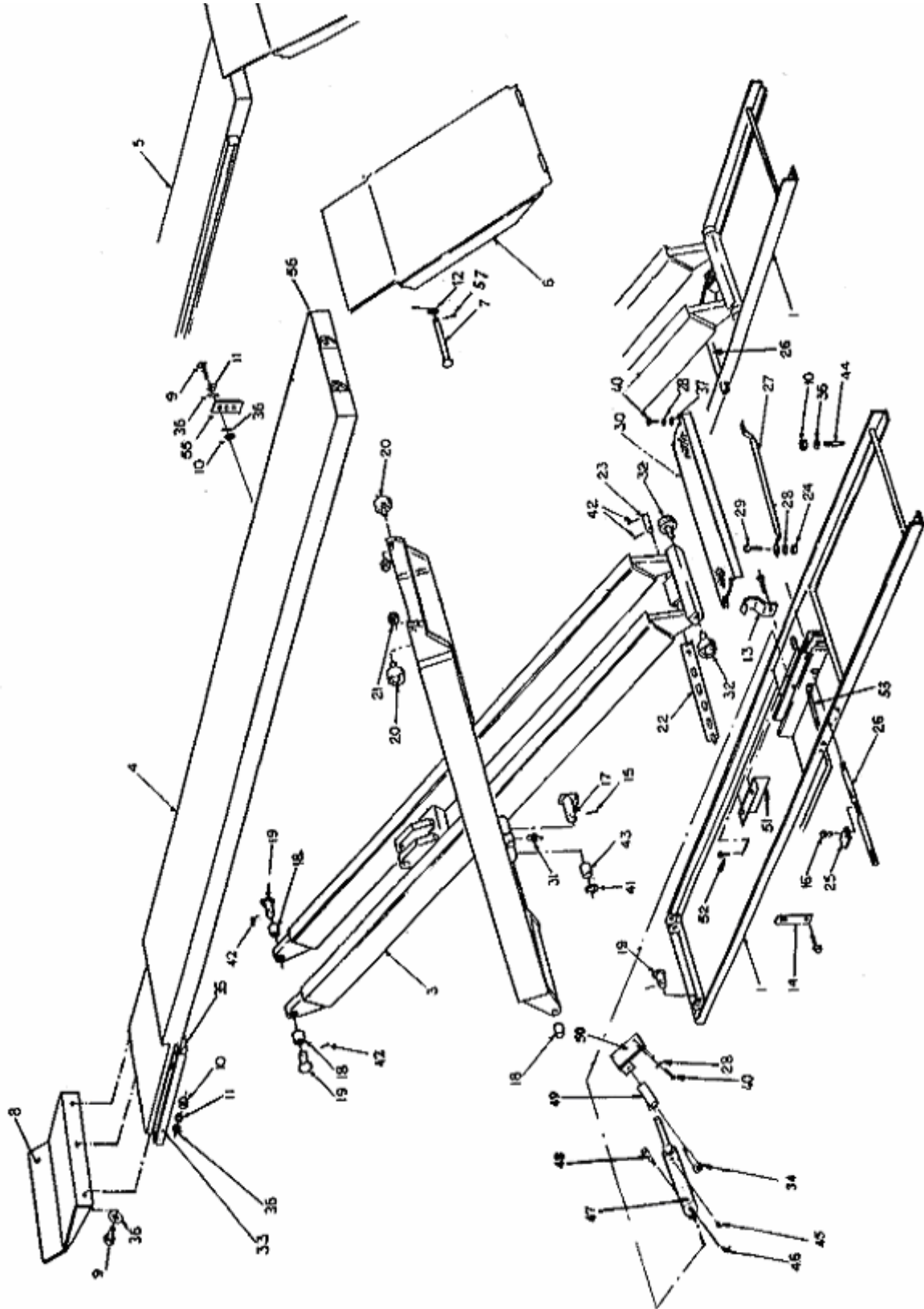


8. PARTS MANUAL
BAYSAVER ASSEMBLY

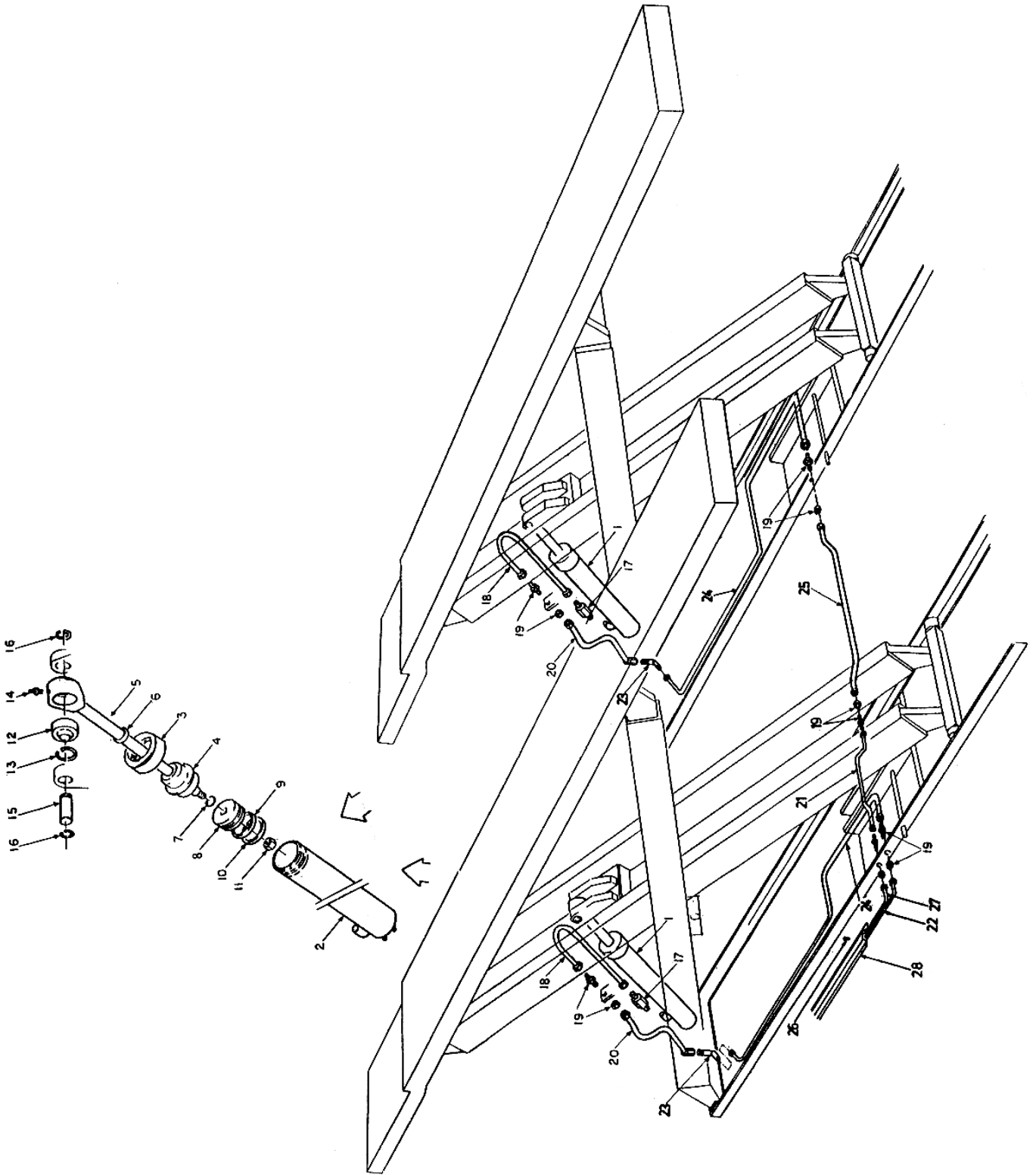


BAYSAVER - PART LIST

ITEM	QTY.	DESCRIPTION	PART #
1	2	BASE FRAME WELDMENT, 9K	4-0161
	2	BASE FRAME WELDMENT, 12K	4-0161
3	2	SCISSOR WELDMENT	4-0002
4	1	9K ALIGNMENT DECK, LEFT SIDE (144"W/B)	4-0379
	1	9K ALIGNMENT DECK, LEFT SIDE (172"W/B)	4-0415
	1	12K ALIGNMENT DECK, LEFT SIDE (172"W/B)	4-0158
5	1	9K ALIGNMENT DECK, RIGHT SIDE (144"W/B)	4-0380
	1	9K ALIGNMENT DECK, RIGHT SIDE (172"W/B)	4-0416
	1	12K ALIGNMENT DECK, RIGHT SIDE (172"W/B)	4-0159
6	2	RAMP ASSEMBLY W/ ROLLER	3-0905
	2	APPROACH RAMP (FLUSHMOUNT)	3-0698
7	4	RAMP PIN	1-1887
8	2	FRONT WHEEL STOP	2-0851
9	16	HEX BOLT, 1/2" - 13UNC X 1 1/2"LG.	6-0291
10	18	HEX NUT, 1/2" - 13UNC	6-0035
11	6	LOCK WASHER, 1/2" I.D.	6-0059
12	2	3/4" I.D. FLAT WASHER	6-0738
13	2	SHIPPING BRACKET	2-0112
14	2	FLAT SHIPPING BRACKET	2-0266
15	4	SPRING PIN, 3/16" X 2" LG.	6-0146
16	2	FLAT HD., 1/4"-20UNC x 3/4" LG.	6-1086
17	4	FULCRUM PIN, 1 1/4" DIA.	1-0106
18	8	BUSHING, 1" I.D.	6-0085
19	8	END HINGE PIN, 1" DIA.	1-0107
20	4	CAM FOLLOWER	6-0637
21	4	JAM NUT, 5/8" - 18UNF	6-0040
22	2	SAFETY BAR WELDMENT	2-1683
23	2	SAFETY PIN	1-0547
24	2	NEX NUT, 1/4"-20UNC	6-0032
25	2	SAFETY RELEASE TAB	1-2169
26	2	SAFETY RELEASE ROD (9K)	2-2133
	2	SAFETY RELEASE ROD (12K)	2-2134
27	1	SAFETY RELEASE CONNECTING ROD	2-0071
28	14	LOCK WASHER, 1/4" I.D.	6-0056
29	2	HEX. BOLT, 1/4"-20UNC x 1 1/4" LG.	6-0027
30	1	CENTER COVER (9K)	3-0951
	1	CENTER COVER (12K)	3-0952
31	4	GREASE NIPPLE	6-0000
32	4	CAM FOLLOWER	6-0077
33	2	PULL OUT STEP ASSEMBLY	2-0362
		* NO PULL OUT STEP ASSEMBLY FOR 12K LIFT	
34	2	SHOULDER BOLT, 3/8" DIA. X 1" LG.	6-0206
35	2	SAFETY WALK TAPE	1-0749
36	24	PLAIN WASHER, 1/2" I.D.	6-0063
37	4	FLATWASHER, 1/4" I.D.	6-0060
40	10	HEX BOLT, 1/4" - 20UNC X 3/4" LG.	6-0178
41	4	WASHER	1-0140

ITEM	QTY.	DESCRIPTION	PART #
42	12	COTTER PIN, 1/8" X 2"LG.	6-0115
43	4	BUSHING, 1 1/4" I.D.	6-0084
44	12	9K WEDGE ANCHOR, 1/2" X 4 1/2"LG.	6-0140
	16	12K WEDGE ANCHOR, 1/2" X 4 1/2"LG.	6-0140
45	1	1/8" NPT BREATHER	6-0183
46	1	ELBOW 90°, 1/8" NPT TO 1/4" POLYTUBE	6-0709
47	1	AIR CYLINDER	6-1232
48	1	SHOULDER BOLT, 5/16" DIA. X 1"LG.	6-0246
49	1	ROD END ASS'Y (INCLUDES 1/4"-20UNC x 3/8"LG SET SCREW)	1-1245
50	1	ACTUATOR ARM WELDMENT	1-1246
51	1	SAFETY COVER	2-1055
52	2	SELF TAPPING SCREW, #10-24UNC X 1/2"LG.	6-0505
53	1	POLYTUBE, 1/4" DIA. (30'LG)	6-1270
54	1	"HYDRAULIC LEVELING" DECAL	6-1405
55	2	T/B BRACKET (12K) FOR AIR KIT, D.S. ONLY	1-0636
	2	HEX BOLT, 1/2" - 13UNC X 1 1/2"LG.	6-0291
	2	HEX NUT, 1/2" - 13UNC	6-0035
	4	PLAIN WASHER, 1/2" I.D.	6-0063
	2	LOCK WASHER, 1/2" I.D.	6-0059
56	2	ADAPTER PLATE (12K)	1-2319
	6	HEX BOLT, 1/2" - 13UNC X 1 1/2"LG.	6-0291
	6	HEX NUT, 1/2" - 13UNC	6-0035
	12	PLAIN WASHER, 1/2" I.D.	6-0063
	6	LOCK WASHER, 1/2" I.D.	6-0059
57	4	COTTER PIN, 1/8" X 1 1/2"LG.	6-0978

BAYSAVER HYDRAULICS

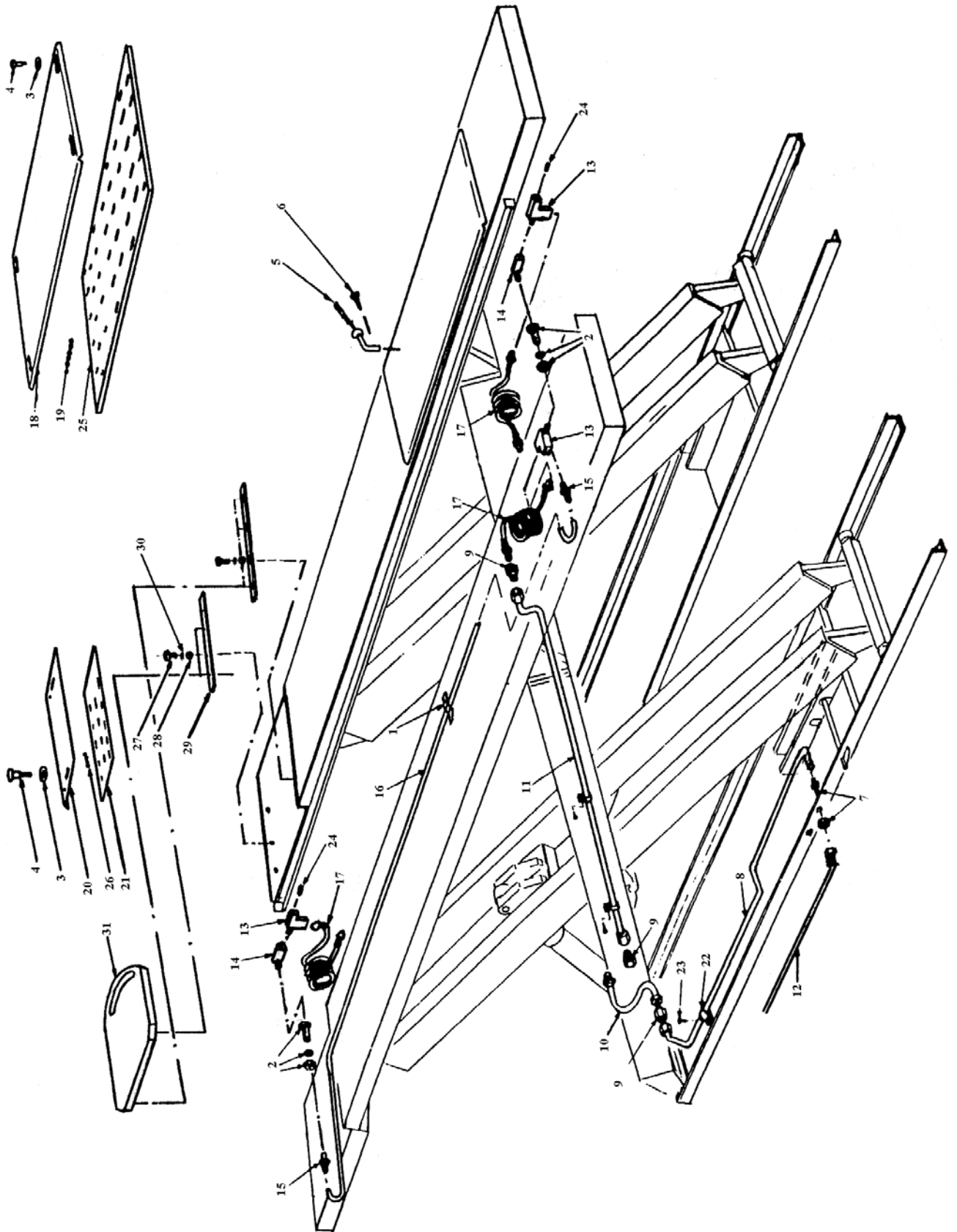


BAYSAVER - HYDRAULICS PART LIST

ITEM	QTY.	DESCRIPTION	PART #
1	2	HYDRAULIC CYLINDER	3-0000
1-2	1	TUBE WELDMENT	2-0000
1-3	1	NUT GLAND	1-0011
1-4	1	GLAND	1-0008
1-5	1	ROD WELDMENT	2-0001
1-6*	1	WIPER RING	6-0001
1-7*	1	'O' RING	6-0002
1-8	1	PISTON	1-0007
1-9*	1	SEAL RING	6-0003
1-10*	1	WEAR RING	6-0004
1-11	1	NYLON INSERT LOCK NUT, 7/8"-14UNF	6-0005
1-12	1	BEARING	6-0007
1-13	1	RETAINING RING	6-0070
1-14	1	GREASE NIPPLE	6-0000
15	2	PIN	1-0029
16	4	RETAINING RING	6-0340
17	2	VELOCITY FUSE	6-0422
18	2	TUBE ASSEMBLY, CYLINDER	1-0093
19	6	BULKHEAD, CONNECTOR 3/8"JIC C/W JAM NUT	6-0013
20	2	HOSE ASSEMBLY	2-2136
21	1	TUBE ASSEMBLY	2-0848
22	1	HYDRAULIC HOSE ASSEMBLY	2-2050
23	2	BULKHEAD, 90° ELBOW 3/8"JIC M C/W JAM NUT	6-0012
24	2	TUBE ASSEMBLY	2-0849
25	1	TUBE ASSEMBLY (9K)	2-0065
	1	TUBE ASSEMBLY (12K)	2-0519
26	20	CONCRETE NAIL, 1/4" x 1"	6-0141
27	1	HYDRAULIC HOSE ASSEMBLY	2-1049
28	5	LINE COVER	2-1104

*HYDRAULIC CYLINDER SEAL KIT PART # 0-0007

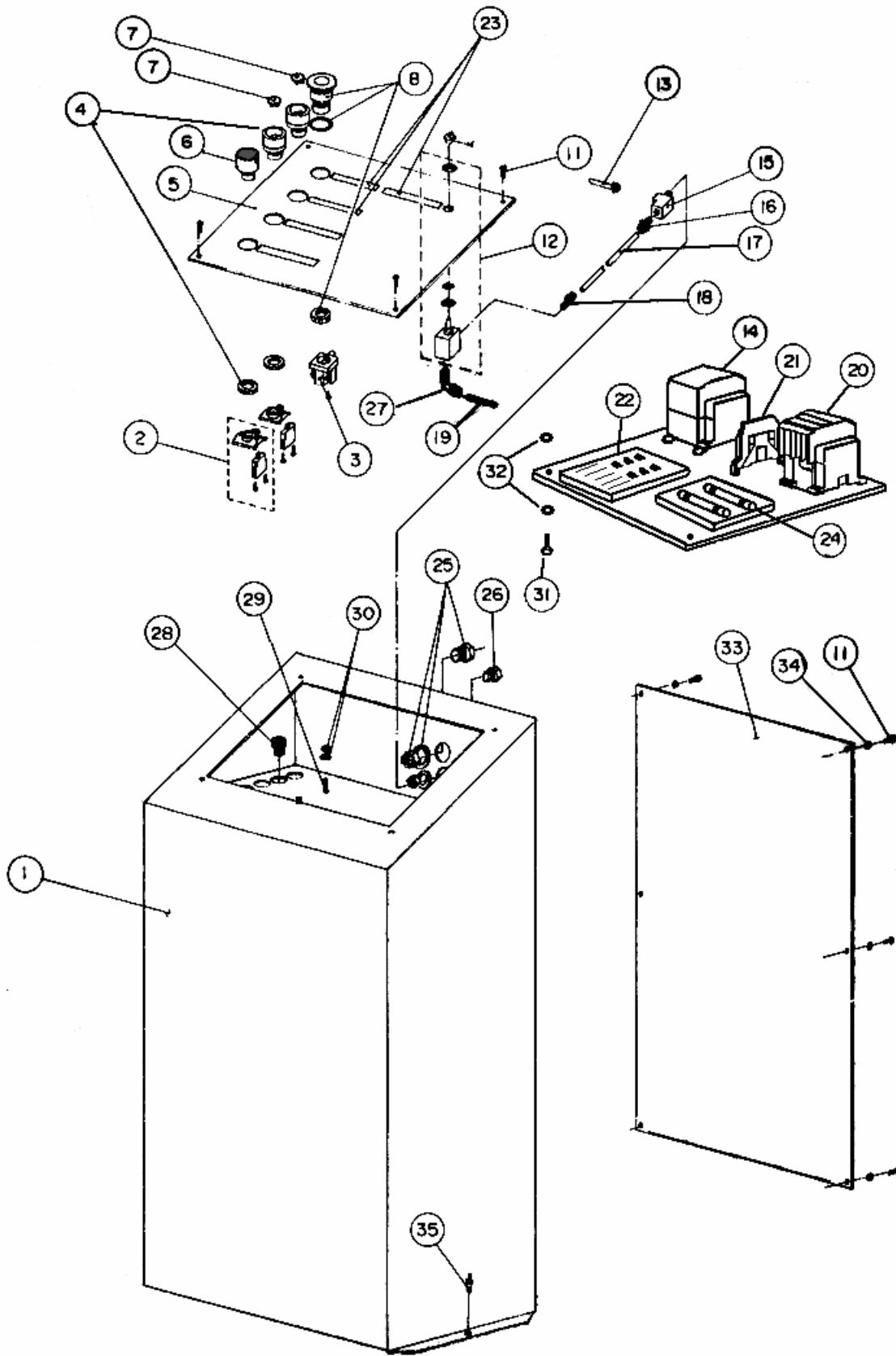
BAYSAVER OPTIONS



BAYSAVER - OPTIONS PART LIST

ITEM	QTY.	DESCRIPTION	PART #
1	5	FRAME CLIP	6-0500
2	2	TERMINAL BOLT, 3/4"-16m W/1/4 NPT F	6-0167
3	12	FLAT WASHER	6-0426
4	12	SHOULDER BOLT, 3/8" X 5/8"LG.	6-0069
5	8	LOCKING PIN ASSEMBLY	2-2184
6	8	SELF TAP SCREW #10 X 1/2"LG.	6-0505
7	1	BULKHEAD, CONNECTOR 3/8"JIC C/W JAM NUT	6-0013
8	1	TUBE ASSEMBLY	3-0017
9	3	ADAPTER, 3/8"JIC M TO 1/4"NPT F	6-0118
10	1	HOSE ASSEMBLY	1-0119
11	1	TUBE ASSEMBLY	2-0062
12	1	3/8"DIA. PVC BRAIDED HOSE, 22'LG. (C/W FITTINGS)	6-1345
13	3	STREET TEE 1/4"NPT	6-0014
14	2	STREET ELBOW	6-0015
15	2	POLYTUBE STRAIGHT ADAPTER, 3/8" X 1/4"NPT	6-0710
16	1	HOSE 144"W/B	1-0120
17	3	12' COILED HOSE	6-0337
18	2	REAR SLIP PLATE WELDMENT	3-0197
19	1 SET (225)	BALL BEARING, 1/4"DIA.	6-0829
20	2	FRONT POSITIONING PLATE WELDMENT	2-0841
21	2	FRONT BEARING CAGE	1-1070
22	4	TUBE CLAMP	6-0170
23	4	SELF TAP SCREW, #10 X 3/8"LG.	6-0169
24	2	PLUG, 1/4"NPT	6-0282
25	2	REAR BEARING CAGE	3-0196
26	1 SET (70)	BALL BEARING, 1/4" DIA.	6-0829
27	16	HEX HD. BOLT, 1/4"-20UNC X 3/4"LG.	6-0178
28	16	FLATWASHER, 1/4" I.D. x 3/4"OD, PLATED	6-0060
29	4	RETAINING BAR	2-1391
30	16	LOCKWASHER, 1/4"DIA.	6-0056
31	2	WHEELTRON TURNPLATE	4-0375

BAYSAVER CONSOLE

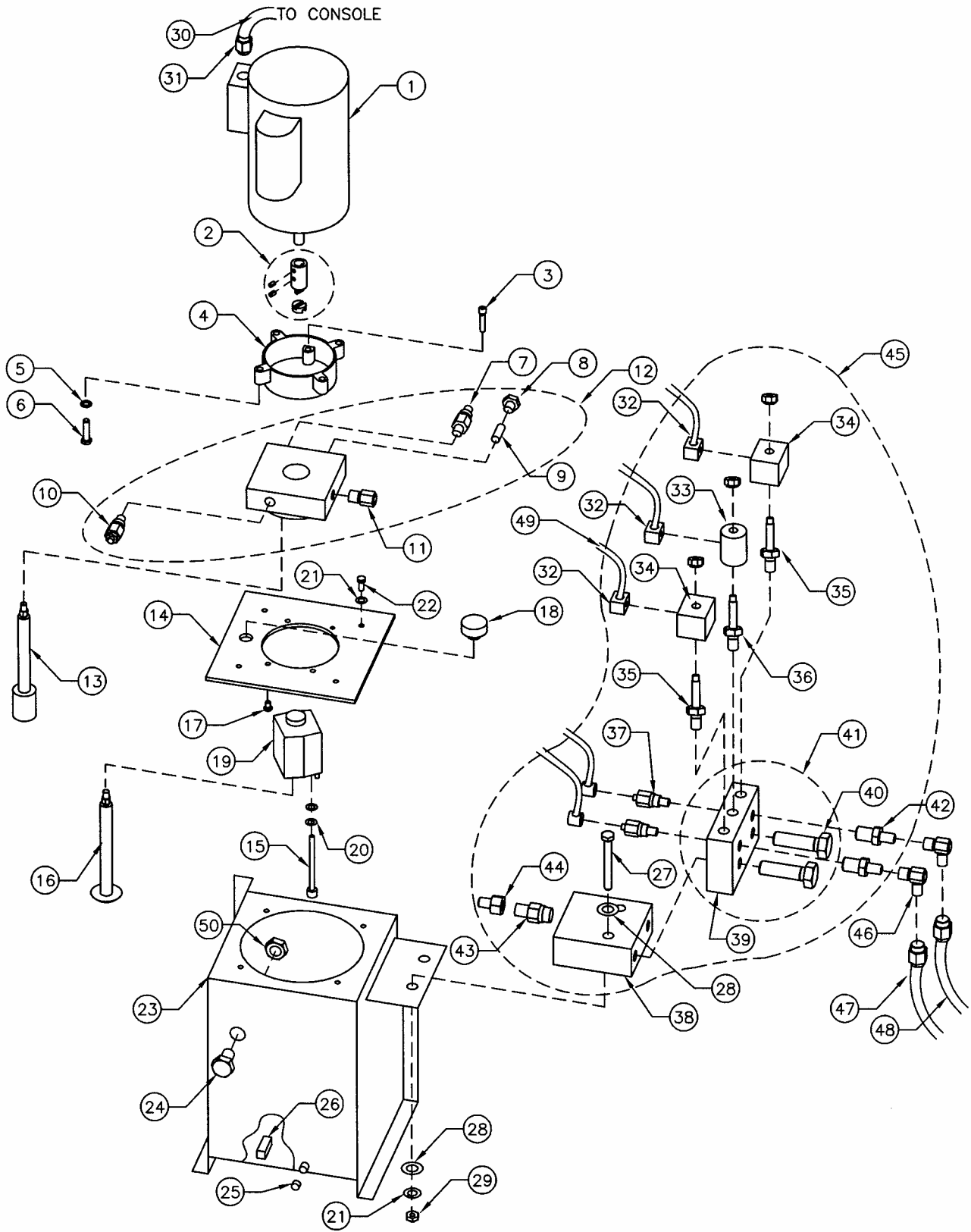


BAYSAVER CONSOLE PART LIST

ITEM	QTY	DESCRIPTION	PART #
1	1	CONSOLE WELDMENT	4-0356
2	2	PUSHBUTTON CONTACTS	6-1248
3	1	EMERGENCY PUSHBUTTON CONTACT	6-2922
4	2	PUSHBUTTON	6-1247
5	1	TOP COVER	2-0962
6	1	GREEN LED, 24mm	6-2177
7	2	PUSHBUTTON PLATE (UP/DOWN ARROW)	6-1251
8	1	EMERGENCY STOP PUSHBUTTON W/ RESET	6-2921
11	10	BUTTON HD. SOCKET CAP SCREW, ¼"-28UNF X 3/8"LG.	6-0441
12	1	AIR VALVE ASS'Y W/ (2) THIN NUTS & (1) LOCKWASHER	6-1055
13	1	3/8"DIA. PVC BRAIDED HOSE. 16'LG. C/W FITTINGS	6-1345
14	1	TRANSFORMER, 220V	6-2126
		TRANSFORMER, 460V	6-2171
		TRANSFORMER, 600V	6-2147
15	1	TEE, ¼"NPT M TO ¼"NPT F TO ¼"NPT F	6-0014
16	1	ADAPTER, ¼"DIA. POLYTUBE TO ¼"NPT M	6-1347
17	1	¼" POLYTUBE, 12"LG.	6-1343
18	1	ADAPTER, ¼"DIA. POLYTUBE TO 1/8"NPT M	6-0708
19	1	¼" POLYTUBE, 30'LG.	6-1270
20	1	CONTACTOR BOARD, 3PH, 24V COIL	6-2172
	1	CONTACTOR BOARD, 1PH, 24V COIL	6-2173
21	1	THERMAL OVERLOAD, 1.8A – 2.8A (575V/3PH ONLY)	6-2174
		THERMAL OVERLOAD, 2.7A – 4.2A (460V/3PH ONLY)	6-2175
		THERMAL OVERLOAD, 6.0A – 9.2A (220V/3PH ONLY)	6-2176
22	1	PRINTED CIRCUIT BOARD	6-2125
23	1	DECAL SET	6-1344
24	2	FUSE, 2A 600V	6-2178
25	2	STRAIN RELIEF, ½" (1 PHASE)	6-1370
		STRAIN RELIEF, ½" (3 PHASE)	6-0094
26	1	BULKHEAD, ¼"NPT	6-0713
27	1	1/4" POLYTUBE TO 1/8"NPT 90° ELBOW ADAPTER	6-0709
28	5	STRAIN RELIEF, 1/4"	6-0092
29	1	BOLT #10-24UNC X 1/2"LG	6-0815
30	2	NUT #10-24UNC	6-1346
31	4	BOLT, #8-32NC X 1" LG.	6-1094
32	8	NUT, #8-32NC	6-1095
33	1	ACCESS COVER	3-0497
34	5	FLATWASHER, ¼"I.D.	6-0060
35	2	CONCRETE NAIL, 1/4" X 1"LG.	6-0141
36	1	ELECTRICAL KNOCKOUT PLUG	6-2314

***NOTE: SEE FOLLOWING PAGE FOR POWERPACK ASSEMBLY

9,000 LB BAYSAVER POWERPACK

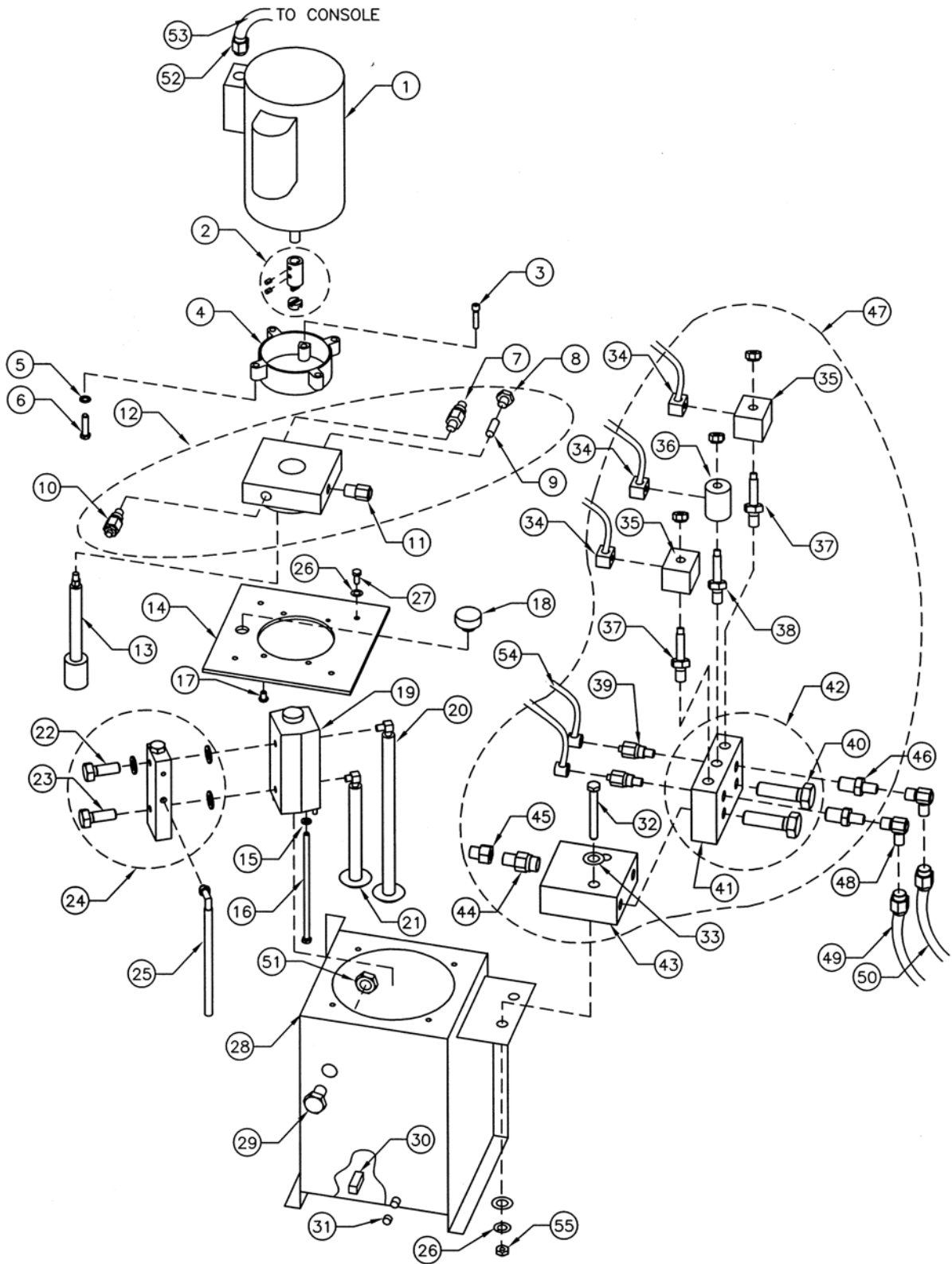


9,000 LB BAYSAVER POWERPACK PARTS LIST

ITEM NO.	QTY.	DESCRIPTION	PART NO.
1	1	MOTOR, 220V (1 PHASE)	6-0087
		MOTOR, 220V (3 PHASE)	6-0446
		MOTOR, 575V (3 PHASE)	6-0447
2	1	MOTOR COUPLER	6-2537
3	2	CAP SCREW, SOCKETHEAD, 5/16"-18UNC x 1 1/2" LG	6-2534
4	1	BELLHOUSING	6-2507
5	4	LOCKWASHER, INTERNAL TOOTH, 3/8"	6-2547
6	4	CAP SCREW, HEX HEAD, 3/8"-16UNC x 1 1/2" LG	6-2558
7	1	AUTO SWITCHING VALVE	6-2273
8	1	PLUG, 3/8" (INCLUDES "O"-RING)	6-2519
9	1	FLOW CONTROL, 1.5 – 2 GPM	6-2272
10	1	RELIEF VALVE (4100 PSI)	6-2264
11	1	SWIVEL ADAPTER (1/4" NPT MALE TO 3/8" JIC	6-2270
12	1	MAIN BODY ASSEMBLY (INCLUDES 7,8,9,10,11)	6-2545
13	1	RETURN FILTER ASSEMBLY	6-2546
14	1	MOUNTING PLATE	6-2521
15	2	CAP SCREW, SOCKET HEAD, 5/16"-18UNC x 3 1/4" LG	6-2536
16	1	INLET STRAINER ASSEMBLY	6-2535
17	4	CAP SCREW, BUTTONHEAD, 5/16"-18UNC x 1/2" LG	6-2524
18	1	FILLER / BREATHER CAP	6-2523
19	1	PUMP	6-2268
20	4	LOCKWASHER, 5/16"	6-0674
21	4	LOCK WASHER, 1/4"	6-0056
22	4	CAP SCREW, HEX HEAD, 1/4"-20UNC x 3/4" LG	6-0178
23	1	OIL RESERVOIR	4-0797
24	1	OIL LEVEL SIGHT PLUG	6-0517
25	1	PLUG, SOCKETHEAD, 3/8" NPT	6-0102
26	1	MAGNET	6-0405
27	2	CAP SCREW, HEX HEAD, 1/4"-20 UNC x 2 3/4" LG	6-0648
28	4	FLAT WASHER, 1/4"	6-0060
29	4	NUT, HEX, 1/4"-20UNC	6-0032
30	1	MOTOR CABLE (1 PHASE)	1-0104
		MOTOR CABLE (3 PHASE)	1-1824
31	1	1/2" STRAIN RELIEF (1 PHASE)	6-1370
		1/2" STRAIN RELIEF (3 PHASE)	6-0094
32	3	DIN CONNECTOR (24V)	6-2236
33	1	ROUND COIL (24V)	6-2114
34	2	SQUARE COIL (24V)	6-2128
35	2	SPOOL VALVE (C/W MANUAL OVERRIDE)	6-2129
36	1	SPOOL VALVE (RESQUARE)	6-1364
37	2	PRESSURE SWITCH (INCLUDES BONDED SEAL)	6-2548
38	1	FLOW DIVIDER	6-2549
39	1	MANIFOLD	6-2551
40	2	BANJO BOLT (INCLUDES BONDED SEAL)	6-2550
41	1	MANIFOLD ASSEMBLY (INCLUDES 39-40)	6-2552
42	2	FILTER FITTING (BSP 3/8" MALE TO 3/8" JIC MALE)	6-2127
43	1	FILTER FITTING (BSP 1/2" MALE TO 3/8" JIC MALE)	6-2553
44	1	ADAPTER (3/8" JIC MALE TO 3/8" JIC FEMALE W/ BONDED SEAL)	6-2559
45	1	FLOW DIVIDER ASSEMBLY (INCLUDES 32 TO 44)	6-2315

46	2	90° ELBOW (3/8" JIC MALE TO 3/8" JIC FEMALE)	6-0813
47	1	DRIVER SIDE HYDRAULIC HOSE	2-1049
48	1	PASSENGER SIDE HYDRAULIC HOSE	2-1050
49	15 FT	COIL / PRESSURE SWITCH CABLE	8-0306
50	2	½" CONDUIT LOCKNUT	6-1610
***NOTE		PUMP ASSEMBLY (INCLUDES 2 TO 20)	6-2110
		COMPLETE POWERPACK & CONSOLE ASSEMBLY	
		220V, 1 PHASE	4-0798
		220V, 3 PHASE	4-0801
		460V, 3 PHASE	4-0932
		575V, 3 PHASE	4-0802

12,000 LB BAYSAVER POWERPACK



12,000 LB BAYSAVER POWER PACK - PARTS LIST

ITEM NO.	QTY.	DESCRIPTION	PART NO.
1A	1	MOTOR, 220V (1 PHASE)	6-0087
1B	1	MOTOR, 220V (3 PHASE)	6-0446
1C	1	MOTOR, 575V (3 PHASE)	6-0447
2	1	MOTOR COUPLER	6-2537
3	2	CAP SCREW, SOCKET HEAD, 5/16"-18UNC x 1 1/2" LG	6-2534
4	1	BELLHOUSING	6-2507
5	4	LOCKWASHER, INTERNAL TOOTH, 3/8"	6-2547
6	4	CAP SCREW, HEX HEAD, 3/8"-16UNC x 1 1/2" LG	6-2558
7	1	AUTO SWITCHING VALVE	6-2273
8	1	PLUG, 3/8" (INCLUDES "O"-RING)	6-2519
9	1	FLOW CONTROL, 1.5 – 2 GPM	6-2272
10	1	RELIEF VALVE (5400 PSI)	6-2265
11	1	SWIVEL ADAPTER (1/4" NPT MALE TO 3/8" JIC	6-2270
12	1	MAIN BODY ASSEMBLY (INCLUDES 7,8,9,10,11)	6-2557
13	1	RETURN FILTER ASSEMBLY	6-2546
14	1	MOUNTING PLATE	6-2521
15	4	LOCKWASHER, 5/16"	6-0674
16	2	CAP SCREW, HEX HEAD, 5/16"-18UNC x 6 1/2" LG	6-2533
17	4	CAP SCREW, BUTTONHEAD, 5/16"-18UNC x 1/2" LG	6-2524
18	1	FILLER / BREATHER CAP	6-2523
19	1	TANDEM PUMP	6-2527
20	1	LONG INLET STRAINER ASSEMBLY	6-2528
21	1	SHORT INLET STRAINER ASSEMBLY	6-2529
22	1	BANJO BOLT (INCLUDES 2 WASHER SEALS)	6-2525
23	1	BANJO BOLT (INCLUDES 2 "O"-RINGS AND 1 WASHER SEAL)	6-2526
24	1	UNLOADING MANIFOLD ASSEMBLY (INCLUDES 22,23)	6-2555
25	1	RETURN TUBE ASSEMBLY	6-2532
26	4	LOCKWASHER, 1/4"	6-0056
27	4	CAP SCREW, HEX HEAD, 1/4"-20UNC x 3/4" LG	6-0178
28	1	OIL RESERVOIR	4-0797
29	1	OIL LEVEL SIGHT PLUG	6-0517
30	1	MAGNET	6-0405
31	1	PLUG, SOCKETHEAD, 3/8" NPT	6-0102
32	2	CAP SCREW, HEX HEAD, 1/4"-20UNC x 2 3/4" LG	6-0648
33	4	FLAT WASHER, 1/4"	6-0060
34	3	DIN CONNECTOR (24V)	6-2236
35	2	SQUARE COIL (24V)	6-2128
36	1	ROUND COIL (24V)	6-2114
37	2	SPOOL VALVE (C/W MANUAL OVERRIDE)	6-2129
38	1	SPOOL VALVE (RESQUARE)	6-1364
39	2	PRESSURE SWITCH (INCLUDES BONDED SEAL)	6-2548
40	2	BANJO BOLT (INCLUDES BONDED SEAL)	6-2550
41	1	MANIFOLD	6-2551
42	1	MANIFOLD ASSEMBLY (INCLUDES 40-41)	6-2552
43	1	FLOW DIVIDER	6-2549
44	2	FILTER FITTING (BSP 3/8" MALE TO 3/8" JIC MALE)	6-2127
45	1	ADAPTER (3/8" JIC MALE TO 3/8" JIC FEMALE)	6-2559
46	2	FILTER FITTING (BSP 3/8" MALE TO 3/8" JIC MALE)	6-2127
47	1	FLOW DIVIDER ASSEMBLY (INCLUDES 34 TO 46)	6-2315

48	2	90° ELBOW (3/8" JIC MALE TO 3/8" JIC FEMALE)	6-0813
49	1	DRIVER SIDE HYDRAULIC HOSE	2-1049
50	1	PASSENGER SIDE HYDRAULIC HOSE	2-1050
51	2	½" CONDUIT LOCKNUT	6-1610
52	1	½" STRAIN RELIEF CONNECTOR	6-0094
53	1	MOTOR CABLE (1 PHASE)	1-0104
		MOTOR CABLE (3 PHASE)	1-1824
54	5	COIL / PRESSURE SWITCH CABLE	1-0105
55	4	NUT, HEX, ¼"-20UNC	6-0032
***NOTE		PUMP ASSEMBLY (INCLUDES 2 TO 25)	6-2262
		COMPLETE POWERPACK & CONSOLE ASSEMBLY	
		220V, 1 PHASE	4-0900
		220V, 3 PHASE	4-0901
		460V, 3 PHASE	4-0933
		575V, 3 PHASE	4-0902

